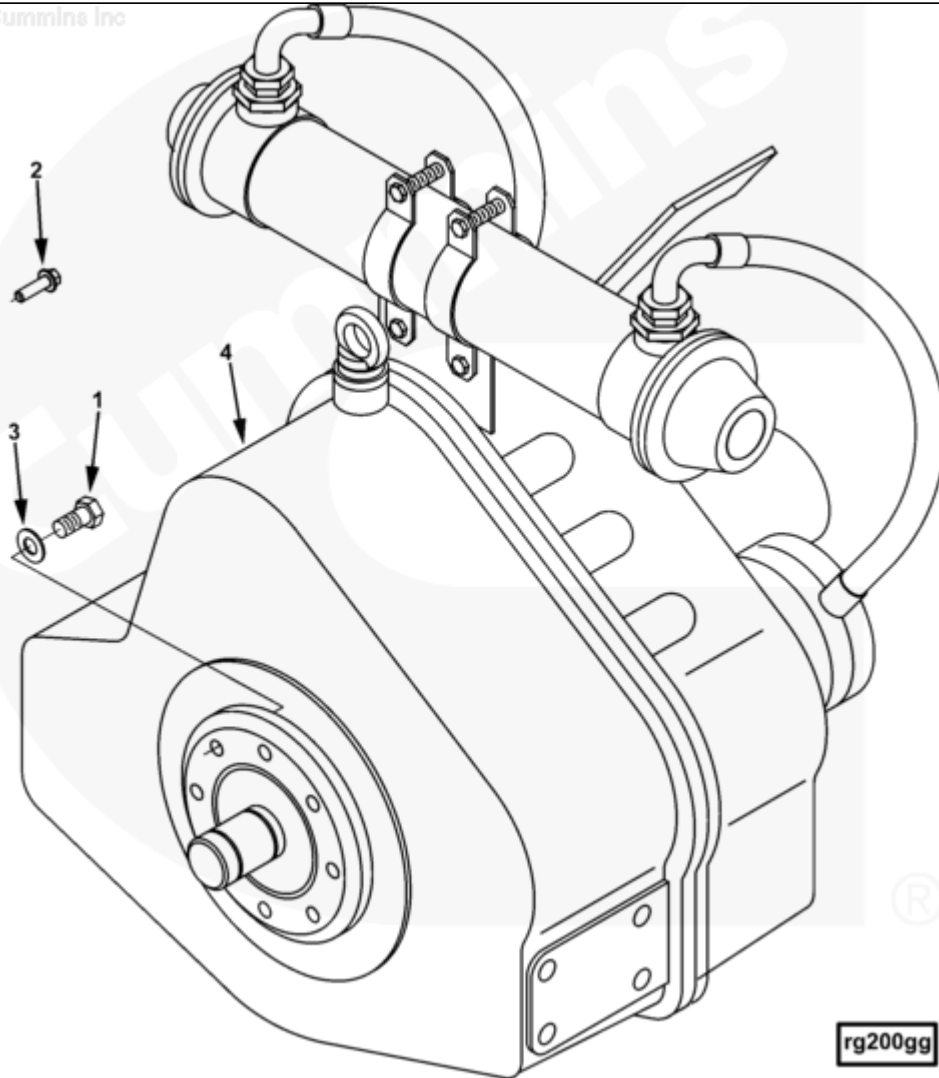




Parts Catalog - Option Detail

Electronic Parts Catalog - Option Detail				
Option	Group	Graphic	Film Card	Date
RG2011-01	16.05	rg200gg	II	18-MAR-03
Engines	ISM CM570, ISM CM570/870, ISM CM875, ISM CM876, ISM CM876 E, ISM11 CM876 M103, ISM11 CM876 SN, M11 CELECT, M11 CELECT PLUS, M11 MECHANICAL, QSM11 CM570, QSM11 CM876			

©Cummins Inc



SMALL | MEDIUM | LARGE

Cart	Ref No	Part Number	Part Description	Required	Remarks
<input type="button" value="View My Cart"/>					
		RG2011-01	Marine Gear		
					Marine Gear

					Component Supplier: Cummins
					Transmission: ZF-Marine 311A
					Marine Gear Ratio: 2.033:1
					Intended Housing: SAE 1
					Torsional Coupling: Vulkan
					VKE 4011 S, Silicon
					Unique Characteristics:
					24V Shift Control Fill Gear
					W/ 8 qts (7.5 l) of SAE 30 Wt
					Oil
<input type="checkbox"/>	1	3052061	Hexagon Head Cap Screw	8	1/2 - 13 x 1 in.
<input type="checkbox"/>	2	3089016	Hexagon Flange Head Cap Screw	12	M10 X 1.50 X 35.
<input type="checkbox"/>	3	3900269	Plain Washer	8	M12
<input type="checkbox"/>	4	3958979	Marine Gear	1	

© 2019 Cummins Inc., Box 3005, Columbus, IN 47202-3005 U.S.A.
Terms of Use and Disclaimers | Recommended System Requirements
Need Assistance? Please click on the Contact Us button in the top right corner of any page.